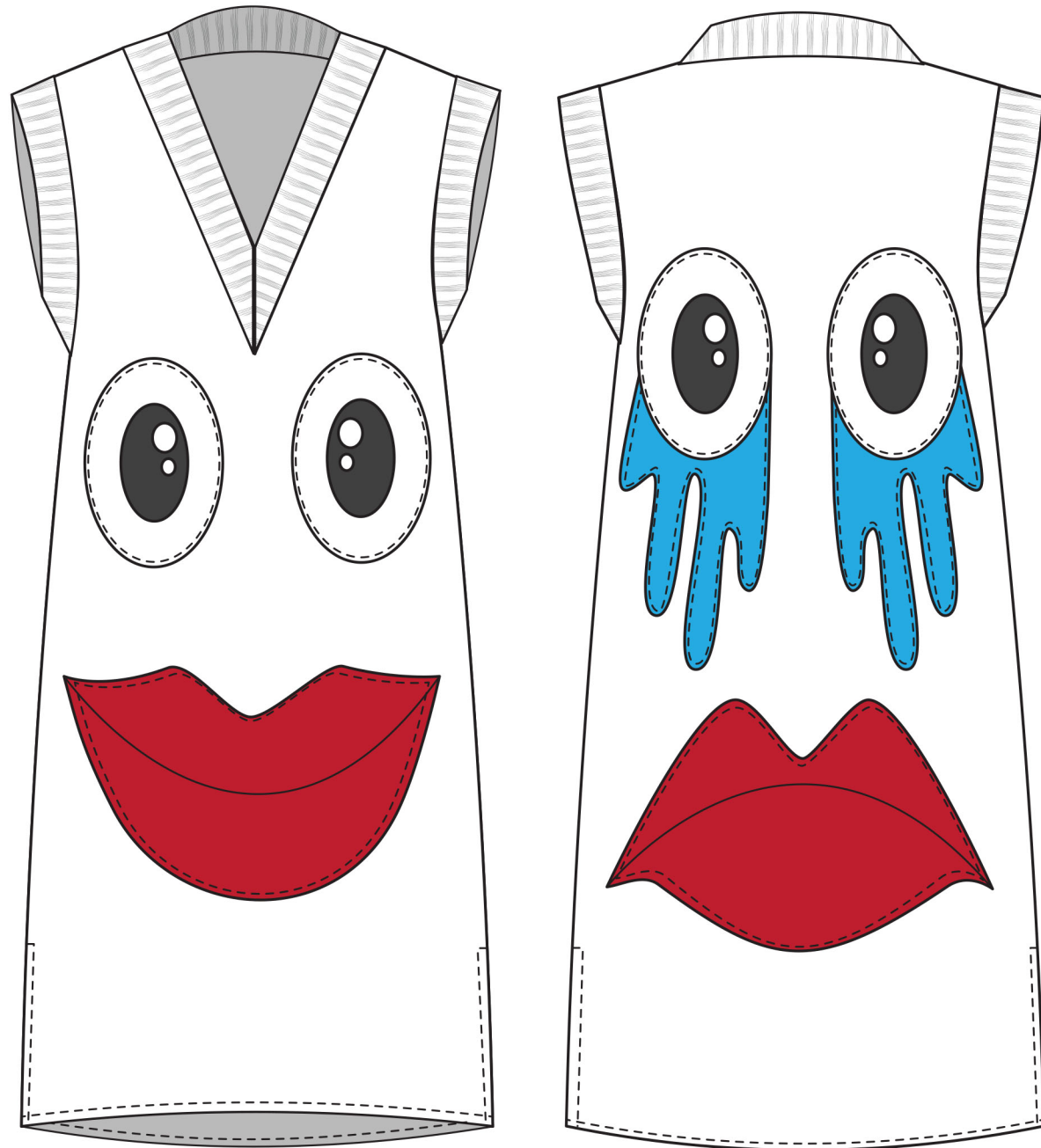




sin cara.

“FACELESS”. ANIKA SCHUTT. LOOK 02. TECH PACK.

Style:	"I'm Fine" Dress	Designer: Anika
Fabric:	Brushed cotton, rib knit trims. Patches made through tufting.	
Washing:	Washed by hand, with delicate detergent.	Revised Date: TBD



Style:	"I'm Fine" Dress	Designer: Anika
Fabric:	Brushed cotton, rib knit trims. Patches made through tufting.	
Washing:	Washed by hand, with delicate detergent.	Revised Date: TBD

Materials and Trims needed.

Code:	Fabrics:	Yards:	Color:
001	Brushed Cotton	3 yds	White
056	Monk Cloth	4 yds	Stock Color
567	Rib Knit 7" x 29"	4 counts	Black

Samples:

Code:	Trims:	Amount:	Color:
234 - 01	Yarn	2 counts	Burgundy
234 - 02	Yarn	4 counts	Bright red
234 - 03	Yarn	5 Counts	White
234 - 04	Yarn	2 Counts	Sky Blue
234 - 05	Yarn	2 Counts	Dark Grey
987- 01	Thread	3 Rolls	same as body
987 - 02	Thread	3 Rolls	Black

Samples:

Style:	"I'm Fine" Dress	Designer: Anika
Fabric:	Brushed cotton, rib knit trims. Patches made through tufting.	
Washing:	Washed by hand, with delicate detergent.	Revised Date: TBD

Color Information.

Code:	Colors:	Purpose:
34	White	Base color, detail in patches & thread
35	Black	Trim color, detail in patches & thread
36	Light Blue	Tear in patches
31	Bright Red	Base color for lip patches
30	Burnt Red	Shadowing for lip patches
28	Red Wine	Dark shadowing for lip patches



Style:	"I'm Fine" Dress	Designer: Anika
Fabric:	Brushed cotton, rib knit trims. Patches made through tufting.	
Washing:	Washed by hand, with delicate detergent.	Revised Date: TBD

Tufting Information.

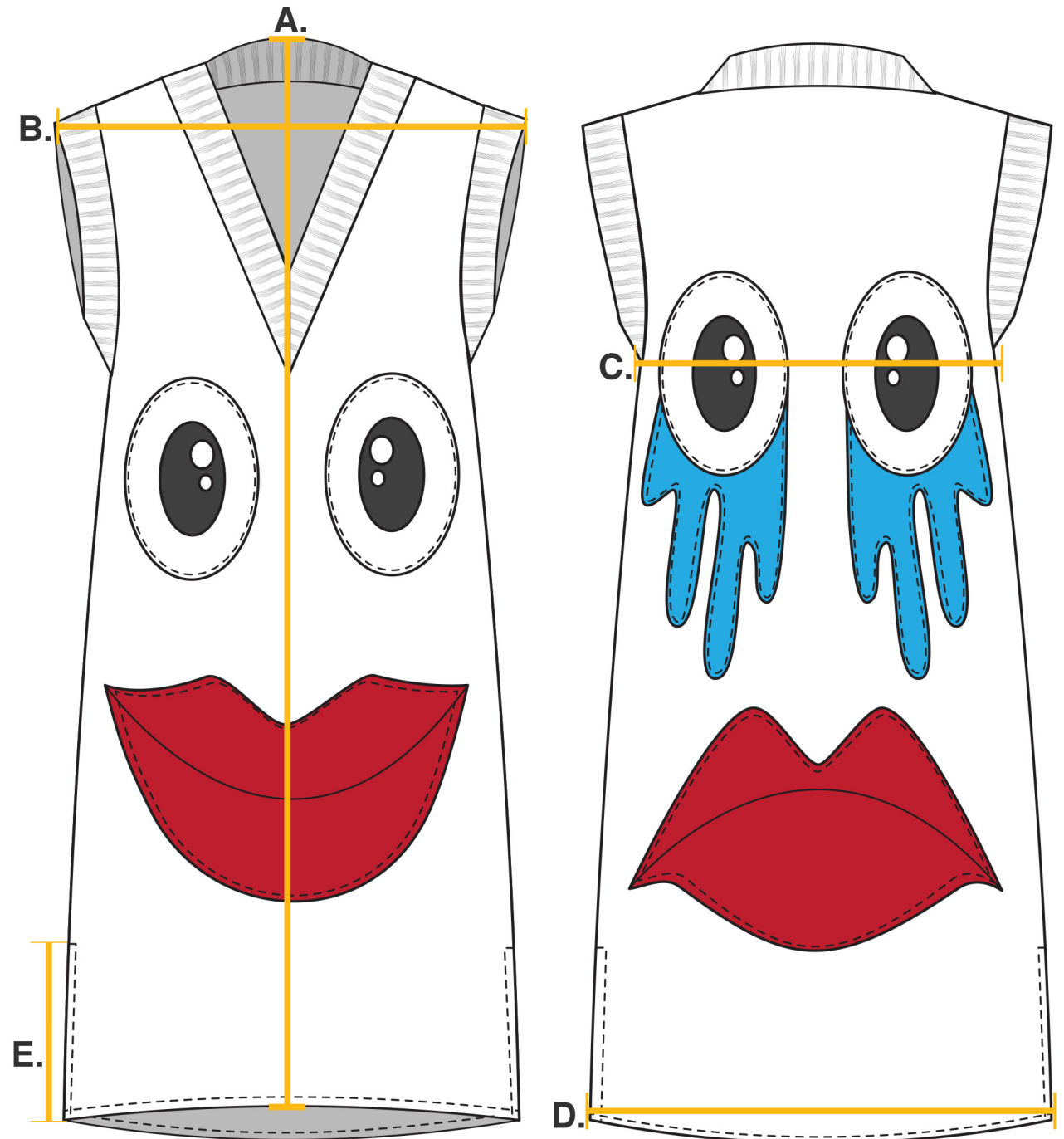
Code:	Materials:	Quantity:
551	Cut and Loop Pile tufting machine (KRD - I)	1 machine
056	Monk Cloth	4 yds
678	Tufting Frame 30" x 30"	1 frame
All materials can be bought from tuftinggun.com .		



Style:	"I'm Fine" Dress	Designer: Anika
Fabric:	Brushed cotton, rib knit trims. Patches made through tufting.	
Washing:	Washed by hand, with delicate detergent.	Revised Date: TBD

Basic Measurements.

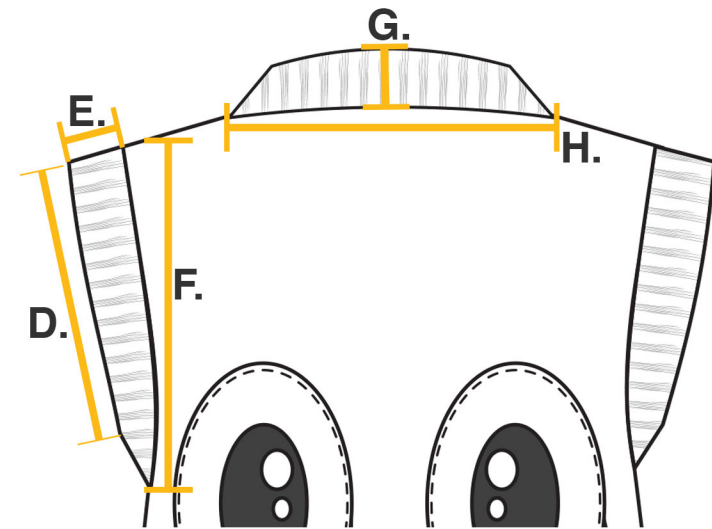
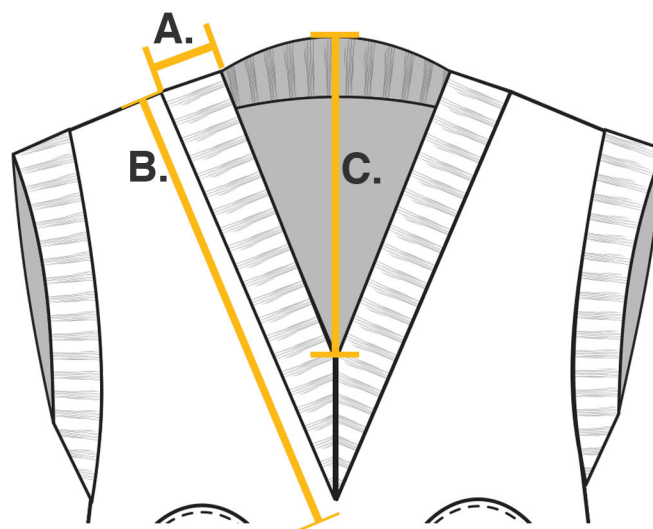
Key:	Measurement:
A.	40.5" in.
B.	20.25" in.
C.	18" in.
D.	22.25" in.
E.	8.50" in.



Style:	"I'm Fine" Dress	Designer: Anika
Fabric:	Brushed cotton, rib knit trims. Patches made through tufting.	
Washing:	Washed by hand, with delicate detergent.	Revised Date: TBD

Trim Measurements.

Key:	Measurement:
A.	1.5" in.
B.	12" in.
C.	6.50" in.
D.	8" in.
E.	2.50" in.
F.	11.50" in.
G.	1.50" in.
H.	11.50" in.



Style:

"I'm Fine" Dress

Designer: Anika

Fabric:

Brushed cotton, rib knit trims. Patches made through tufting.

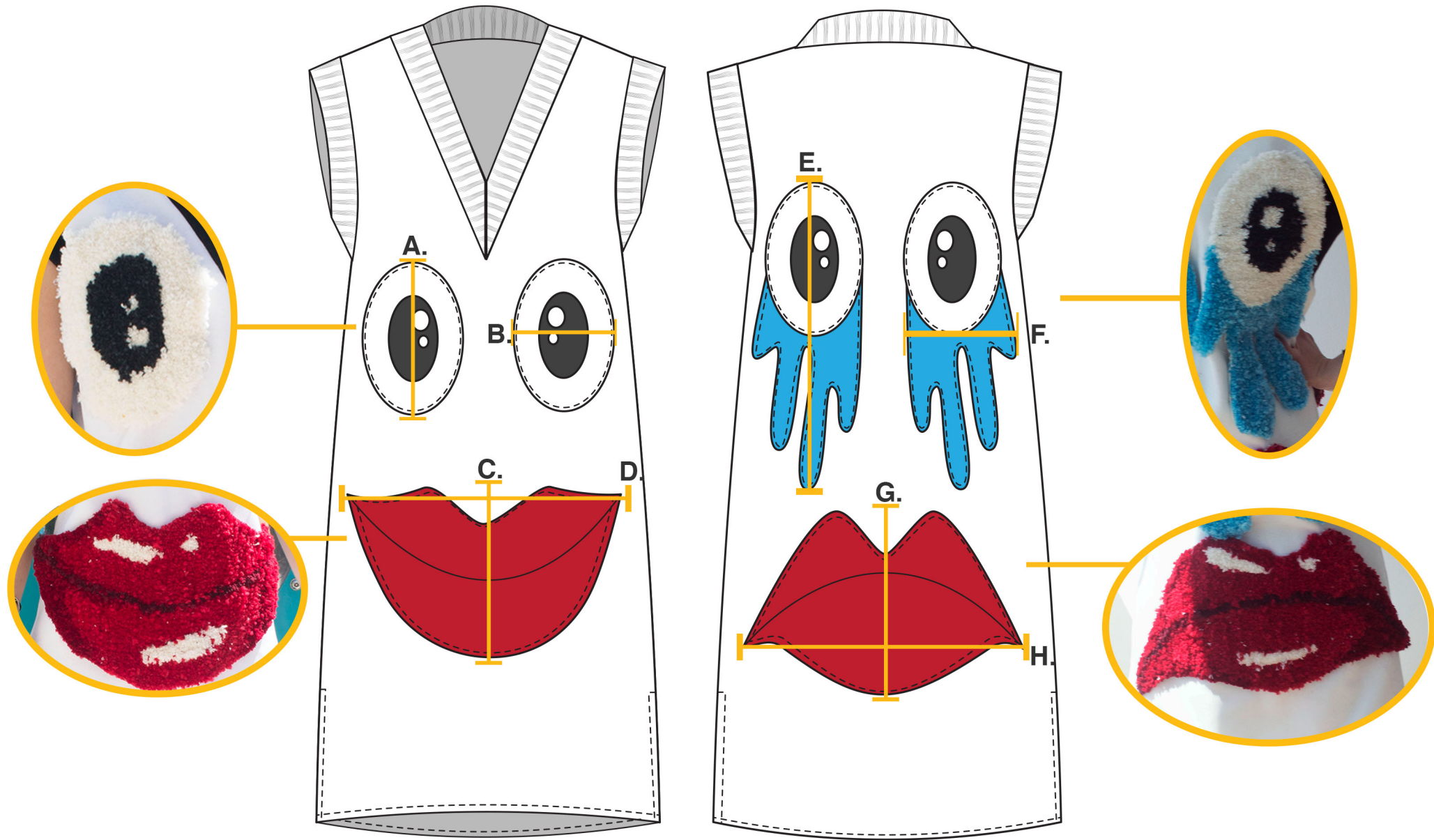
Washing:

Washed by hand, with delicate detergent.

Revised Date: TBD

Aplique Measurements

Key:	Measurement:
A.	8" in.
B.	7" in.
C.	11" in.
D.	18.50 in.
E.	17" in.
F.	8.50" in.
G.	11.50" in.
H.	18" in.



Style:

"I'm Fine" Dress

Designer: Anika

Fabric:

Brushed cotton, rib knit trims. Patches made through tufting.

Washing:

Washed by hand, with delicate detergent.

Revised Date: TBD

Aplique Placement Measurements

Key:	Measurement:
A.	12.50" in.
B.	3.75" in.
C.	2.50" in.
D.	4" in.
E.	6.75" in.
F.	8.50" in.
G.	1.25" in.
H.	2.50" in.
I.	2.50" in.
J.	5" in.

